



**SERVICE PARTS MANUAL**  
**Storage Bins**  
**B25 PP (NLA)**



Date 4/2/26

This parts list contains the service parts available for the Ice-O-Matic storage bins listed below.

**B25PP**      **From Serial Number 13011320011089 to 15031320014759**

**B25PP**      **From Serial Number 15071280013855**

Check the model number on the data plate and refer to the correct listing for the specific component.

Check carefully that the correct part is identified and ordered.

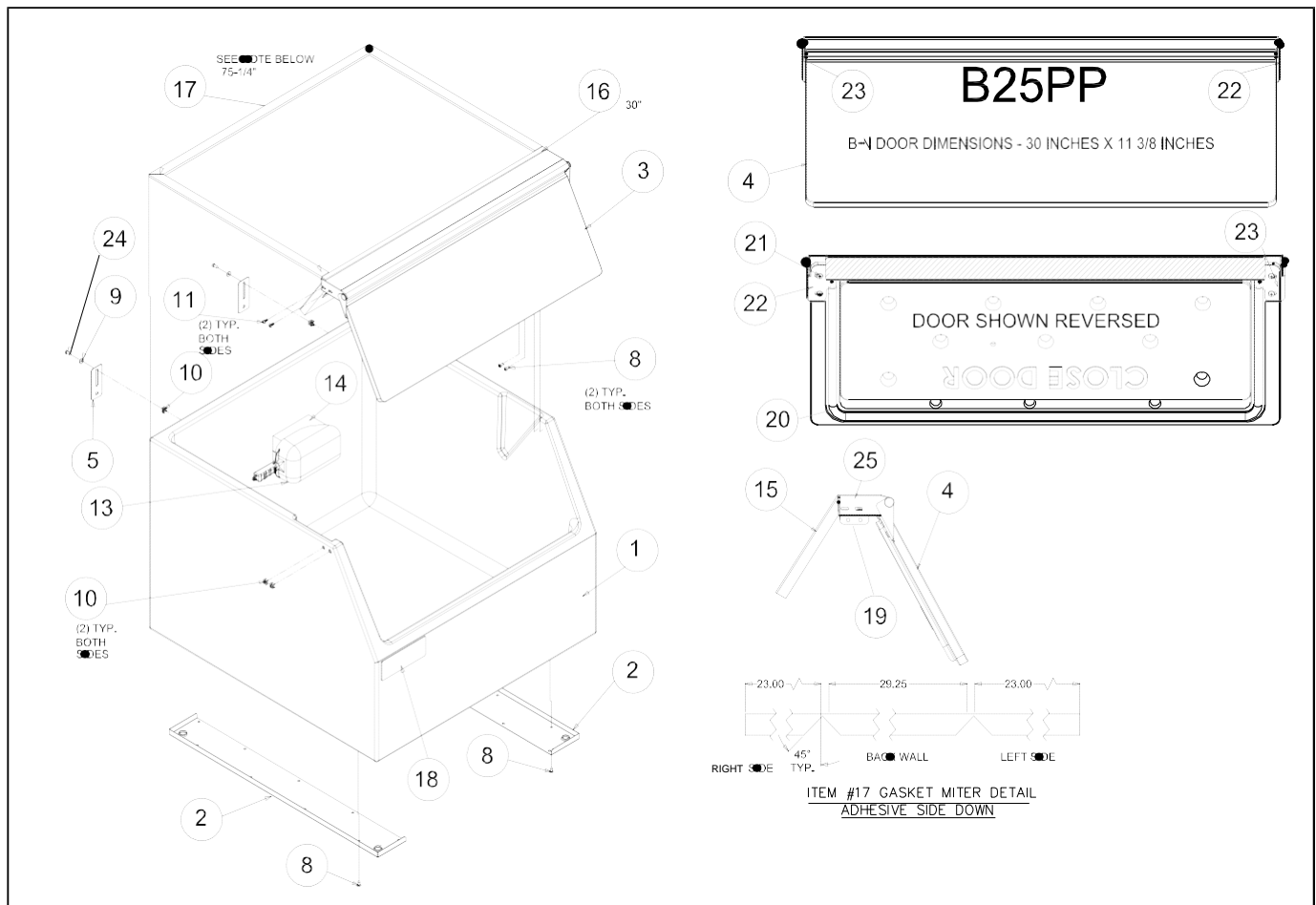
**Table of Contents**

**Page 1**

<b>B25PP</b> From Serial Number 1301 <u>13200</u> 11089 to 1503 <u>13200</u> 14759	<b>Page 2</b>
---	---------------

<b>B25PP</b> From Serial Number 1507 <u>12800</u> 13855	<b>Page 3</b>
--	---------------

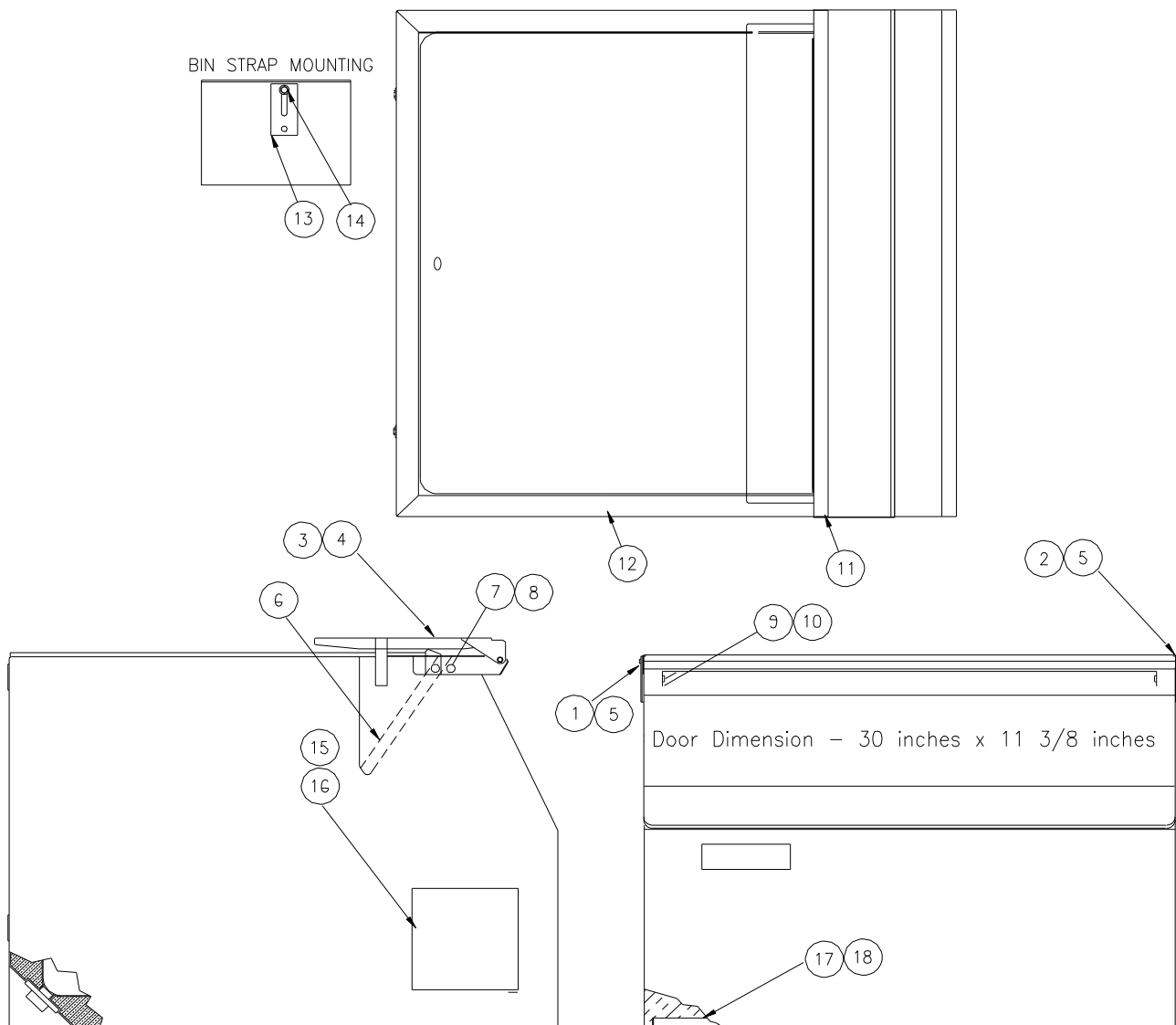
From Serial Number 13011320011089 to 15031320014759



From Serial Number 13011320011089 to 15031320014759

Item	Part Number	Description
1	1011515-01	Bin Assembly (Box Only)- NLA- No Longer Available
2	1011515-02	Leg Support - NLA
3	1011515-03	Door / Shield Assembly (Includes Items 4,15,19,20,21,22,23 and 25)- NLA
4	9051343-01	Bin Door (Less Gasket see Item 20)- NLA
5	3012608-01	Bin Connecting Strap
6	1011515-06	Skid- NLA
7	1011515-07	Carton- NLA
8	1011515-08	Screw #10 x 1/2 PH SS (Stiffner Screws) NLA
9	9031003-10P	Flat Washer #10 10PK
10	9031141-01P	Plastic Nut 25PK
11	1011515-11	Screw #10 x 1/2 Truss HD S.S.- NLA
12	1011515-12	Bolt, 5/8-11 x 1 1/4 (Bin to Skid)- NLA
13	9051127-01	Bin Scoop
14	1011339-143	Leg (4) Set
15	1011515-15	Ice Deflector Drip Shield- NLA
16	1011515-16	Drip Shield Gasket (Gasket 1/8 x 1/2 x 30 inches) NLA
17	1011515-17	Bin Perimeter Gasket (Gasket 1/4 x 1 x 75.25 inches)- NLA
18	9071974-01	IOM Logo
19	1011515-19	Drip Shield Brace- NLA
20	1011515-20	Bin Door Gasket (45 Inches Required)-NLA
21	9031008-15P	Door Hinge Screw 10PK
22	2031302-02	Hinge Bracket Right Hand NLA
23	2031302-01	Hinge Bracket Left Hand NLA
24	9031113-03P	Screw, Bin Connecting Strap 10PK
25	1011515-25	Drip Shield Brace Screw- NLA

From Serial Number 15071280013855



From Serial Number 15071280013855

Item	B25PP Bin	Description
1	2031302-01	Pivot Bracket-Left Hand NLA
2	2031302-02	Pivot Bracket-Right Hand NLA
3	2031303-97	Door, 30 x 11.375 Black Only (Includes Gasket)
4	6081036-01	Door Gasket 3.87 Ft. Required NLA
5	9031008-15P	Screw-Pivot Bracket to Door 10PK
6	2101252-01S	Drip Shield/Ice Deflector (Includes item 9)
7	9031098-05P	Drip Shield Screw 10PK
8	9031141-01P	Plastic Nut 25PK
9	3012646-03	Drip Shield Stainless Steel Brace NLA
10	9031113-04P	Drip Shield Stainless Steel Brace Screws 10PK
11	6081004-07	Drip Shield Gasket 2.50 Ft Required NLA
12	6081004-06	Bin Perimeter Gasket 6.42 Ft. Required
13	3012608-01	Connecting Strap
14	9031113-03P	Connecting Strap Screw 10PK
15	9021001-04	Legs (Set of 4)
16	9051127-01	Ice Scoop
17	2031453-01S	Leg Support (Includes Nut Retainers)
18	9031012-02P	Leg Nut Retainer 10PK

2031501-05S DOOR ASSEMBLY ( INCLUDES ITEMS 1,2,3,4,5,6